

DV-RAD

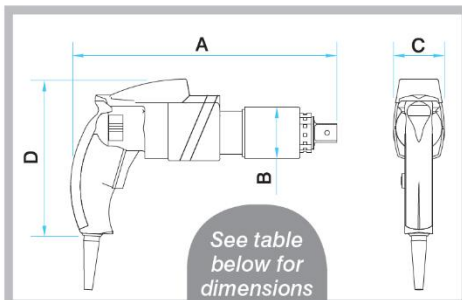
Digital Electric Torque Tool

The DV-RAD Series of digital electric torque tools with ease of programmable torque settings and 'plug and play' is the optimal choice where there is no air supply or the air supply is poor.

- Single increment torque settings
- Fully programmable pre-set torque settings
- Colour digital display & keypad
- Pass/fail function
- Powered by 110 Volt mains supply (240 Volt motors available)
- Non-impacting
- Simple 'plug & play' operation
- All tools are supplied with a dedicated calibration certificate
- Supplied in weatherproof storage/carry case



Digital Display



Model	Dimensions (mm)				Weight Kg	Speed (rpm)	Torque Range (Nm)		Square Drive
	A	B	C	D			Min	Max	
DV-RAD 14	350	63	70	210	5.1	7.4	550	1,350	¾"
DV-RAD 20	377	69	70	210	5.6	4.3	800	2,000	1"
DV-RAD 34	414	76	70	210	7.1	3.1	1,350	3,400	1"

**HIRE, SALES
& ADVICE**
01709 550088