

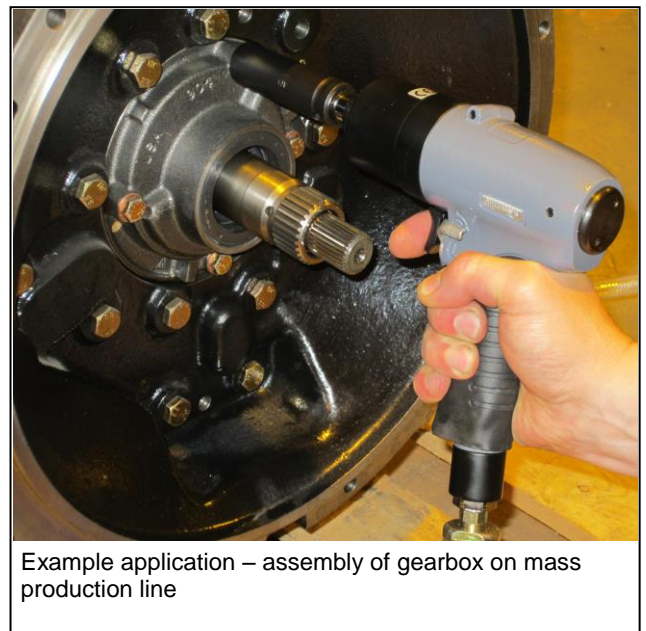
Auto shut-off Impulse Wrenches

The ideal tool for high speed, mass production lines where high productivity is essential.



The perfect assembly tool with the benefits of:

- High acceleration and speed
- Low Noise (86 dB (A) or less)
- No Reaction – low vibration (less than 2.5 m/s²)
- Accuracy +/-5%
- Auto shut-off when pre-set torque level achieved





Main features:

- Bi-directional torque and angle measurement
- Pulse count
- Cycle time duration & tool speed displays

Plus many other programmable features.

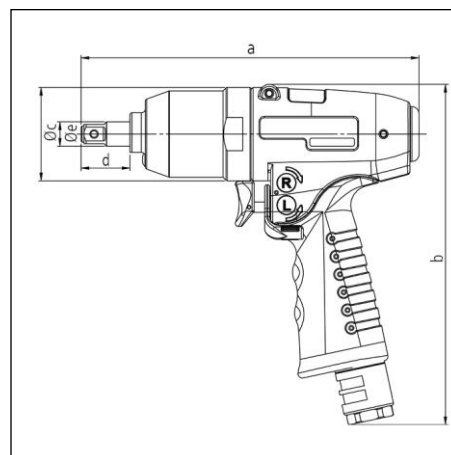
Light, yet robust - the Torque Tester is the ideal choice for measurement and collection of torque data in manufacturing environments.

Optional Impulse Wrench Torque Checker
Contact us for details

Technical Specifications

Model	Sq. Drive Inch	Bolt Capacity mm	RPM	Torque Range Nm	Air Consumption l/sec	Weight Kg	Inlet thread Inch	Hose Diam. mm	Noise level dB(A)
WC-30T	3/8	6	4,600	7-12.5	3.7	0.89	PT 1/4	6.5	78
WC-40T	3/8	6-8	4,600	11-19	3.7	0.92	PT 1/4	6.5	78
WC-50T	3/8	8	7,200	16-27	5.3	0.92	PT 1/4	6.5	80
WC-60T	3/8	8-10	6,200	22-35	6.2	1.0	PT 1/4	8	82
WC-70T	3/8	10	7,200	37-57	7	1.35	PT 1/4	8	82
WC-90T	1/2	12	5,400	64-90	8.3	1.55	PT 1/4	8	83
WC-100T	1/2	12-14	5,300	85-120	8.7	1.87	PT 1/4	8	84
WC-130T	1/2	14-16	3,600	123-148	11.6	2.26	PT 1/4	11	86
WC-150T	3/4	16	3,700	165-210	11.6	3.10	PT 1/4	11	86
WC-180T	3/4	16-18	2,700	180-255	12.2	3.80	PT 1/4	11	86

Model	a mm	b mm	c mm	d mm	e mm
WC-30T	167	168	46	24	12
WC-40T	167	168	46	24	12
WC-50T	167	168	46	24	12
WC-60T	178	168	46	24	12
WC-70T	194	172	53.5	25	12
WC-90T	200	192	53.5	31	16
WC-100T	209	195	59	32	16
WC-130T	216	204	64	31	16
WC-150T	239	215	72	40	25
WC-180T	263	232	78	41	25



Whilst every effort has been made to ensure the availability of the models and specifications within this catalogue, our policy of continuous improvement means specifications and models are liable to change without notice. We reserve the right to change the specifications and models available for sale or hire and to supply equivalent products where appropriate.

- No statement or data within this literature is warranted or guaranteed to be accurate.

W. CHRISTIE (INDUSTRIAL) LTD

CHRISTIE HOUSE, MEADOWBANK ROAD,
ROTHERHAM, SOUTH YORKSHIRE, S61 2NF UK
T: +44(0)1709 550088 F: +44(0)1709 550030
E: INFO@WCHRISTIE.COM

REGISTERED OFFICE: UNIT F7, FESTIVAL BUSINESS CENTRE,
150 BRAND STREET, GLASGOW, G51 1DH, SCOTLAND
T: +44(0)141 427 9801 F: +44(0)141 427 9802
E: WCHRISTIE@BTCONNECT.COM
REGISTRATION NO: SC 035247

www.wchristie.com