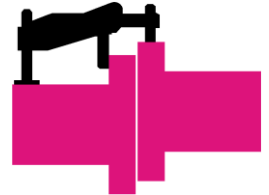




Mechanical & Hydraulic

# FLANGE ALIGNMENT TOOLS



The Christie range of precise, labour-saving flange alignment tools will eliminate risks associated with traditional flange alignment practices. Simple, safe, modern solutions for linear or rotational misalignment of fixed flanges. Set-up time is minimal, taking just a few minutes to realign flanges safely and quickly.

### FUNCTIONAL

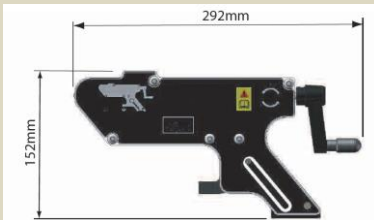
The WCA1TM, WCA4TM, & WCA9TE can be used for:

- Commissioning
- Construction
- Routine maintenance
- Shutdowns/outages
- Testing
- Valve change-outs

### OPERATIONAL

- Saves time
- Saves cost
- Labour saving – allows for continuity of work
- Safe operation
- Portable – ideal for remote locations
- Dispenses with the need for cranes, tirlors, & hooks

### Mechanical Fixed Flange Alignment Tool



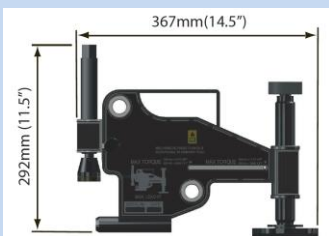
**WCA1TM**



A simple solution to smaller diameter, lower pressure flange joint misalignment.

- compact light-weight design 1.6kg (3.5lbs)
- 1T (10kN) aligning force
- comes with securing strap

### Mechanical Fixed Flange and Rotational Alignment Tool



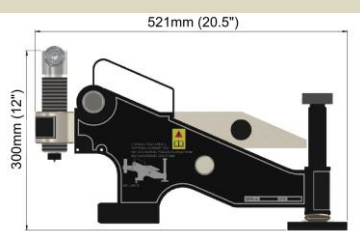
**WCA4TM**



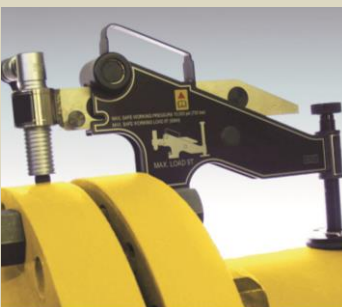
A simple solution to medium diameter, medium pressure flange joint misalignment.

- compact lightweight design 8.6kg (19lbs)
- 4T (40kN) aligning force
- comes with securing strap
- can also be used on rotational misalignment

### Hydraulic Fixed Flange and Rotational Alignment Tool



**WCA9TE**



A simple solution to large diameter, high pressure flange joint misalignment.

- compact lightweight design 14.5kg (32lb)
- 9T (90kN) aligning force
- comes with securing strap
- can also be used on rotational misalignment



### WCA1TM Kit Components

- 1 x WCA1TM Flange Alignment Tool
- 1 x Securing Strap
- 1 x Instruction Manual
- Gross Kit Weight: 2.0kg (4.4lb)



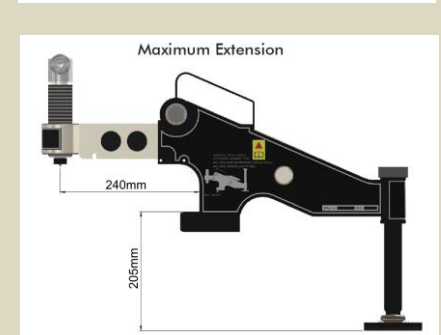
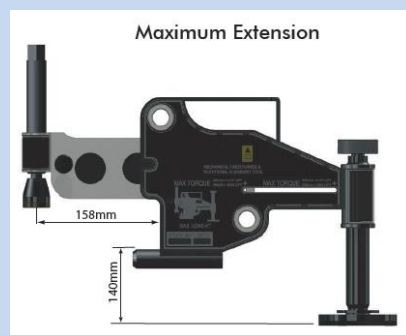
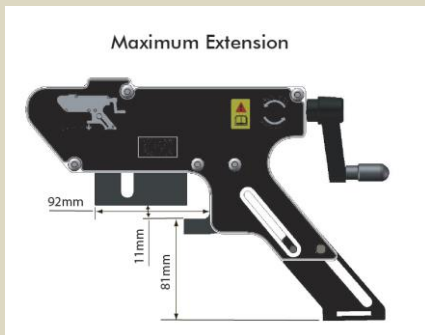
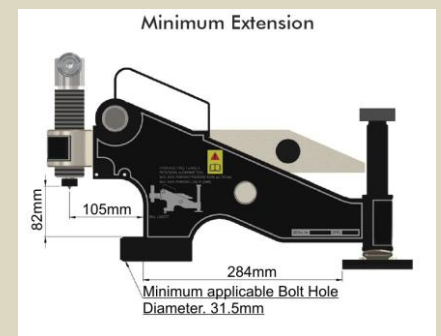
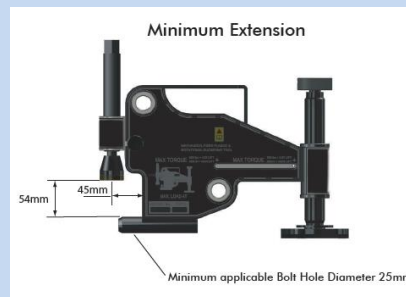
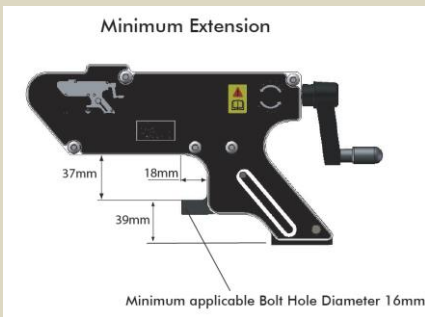
### WCA4TM Kit Components

- 1 x WCA4TM Mechanical Fixed Flange Rotational Alignment Tool
- 1 x 50ft/lb (67.8Nm) Torque Wrench with 22mm Socket
- 1 x Ratchet Strap
- 1 x Instruction Manual
- 1 x Reinforced Plastic Case
- Gross Kit Weight: 11.7kg (25.8lb)



### WCA9TE Kit Components

- 1 x WCA9TE Hydraulic Fixed Flange Alignment Tool
- 1 x 10,000psi (700bar) Hydraulic Cylinder
- 1 x 10,000psi (700bar) Hydraulic Hose, 2m
- 1 x 10,000psi (700bar) HP350S Hydraulic Single Port Sealed Hand Pump with Gauge
- 1 x Ratchet Strap
- 1 x Instruction Manual
- 1 x Reinforced Plastic Case
- Gross Kit Weight: 26.5kg (58.5lb)



## Other Product Ranges Available – Call W. Christie for further details

### Flange Spreading Wedges



### Zero-gap Spreading Tools



### Hydraulic Vertical Lifting Wedge



### Mini Gap Flange Spreader



No statement or data within this literature is warranted or guaranteed to be accurate.

## W. CHRISTIE (INDUSTRIAL) LTD

CHRISTIE HOUSE, MEADOWBANK ROAD,  
ROTHERHAM, SOUTH YORKSHIRE, S61 2NF UK  
T: +44(0)1709 550088 F: +44(0)1709 550030  
E: INFO@WCHRISTIE.COM

REGISTERED OFFICE: UNIT F7, FESTIVAL BUSINESS CENTRE,  
150 BRAND STREET, GLASGOW, G51 1DH, SCOTLAND  
T: +44(0)141 427 9801 F: +44(0)141 427 9802  
E: WCHRISTIEGLW@BTCONNECT.COM  
REGISTRATION NO: SC 035247

[www.wchristie.com](http://www.wchristie.com)