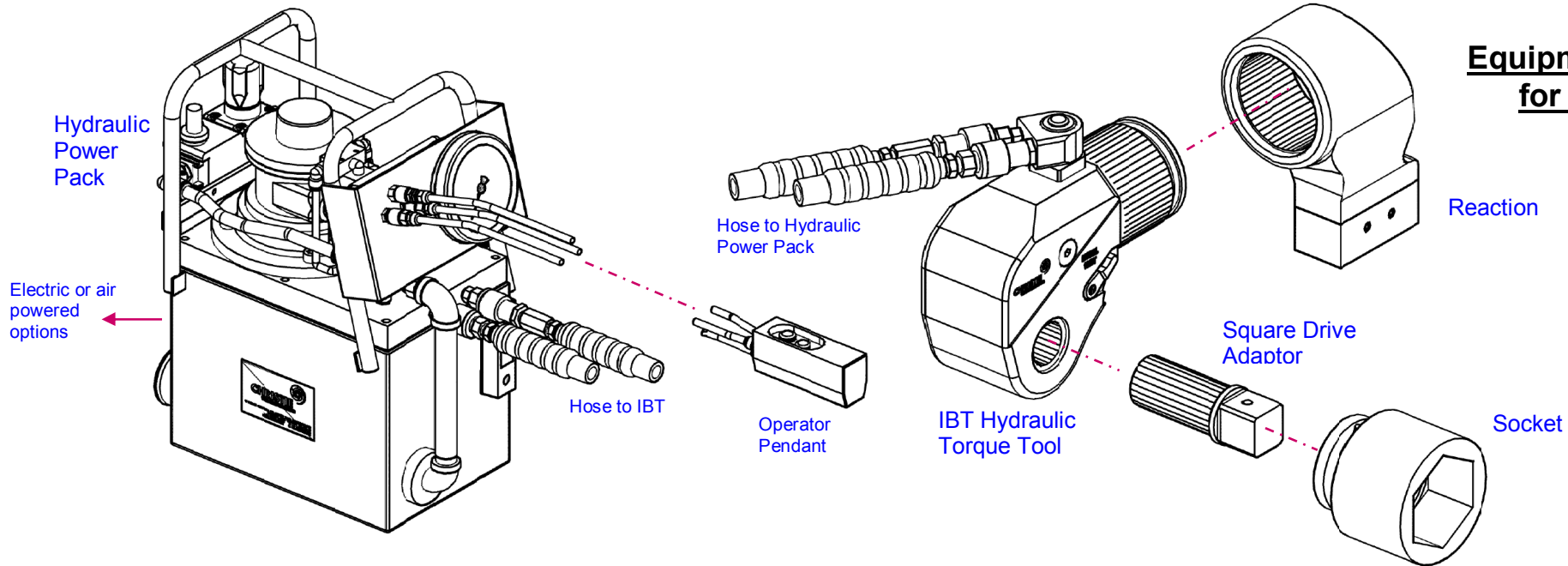


IBT Hydraulic Torque Tool

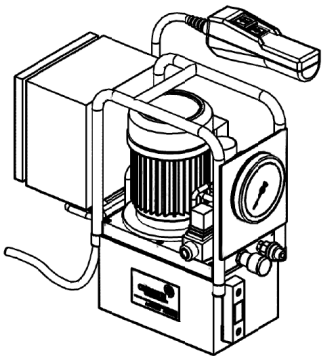


CHRISTIE
TOTAL TORQUE SOLUTIONS

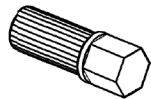
Equipment required for using a IBT



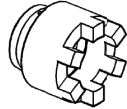
Optional Extras



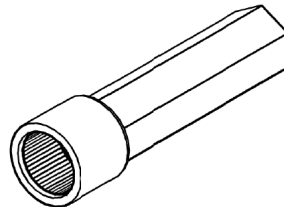
Range of Power Packs Available
(Electric version illustrated)



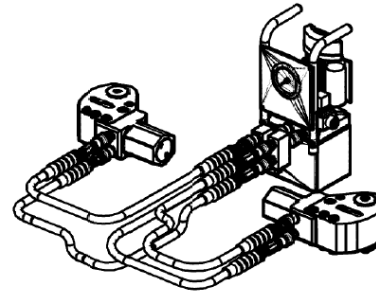
Alternative Drive Adaptors



Range of Sockets available



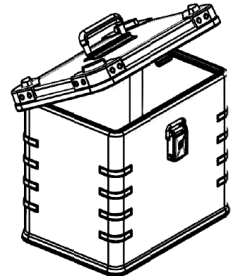
Special Reactions to suit individual applications



Multiple Tool Assembly



Storage Trolleys



Storage Boxes