



# BC-RAD BL Select Battery Torque Tool BRUSHLESS

BC-RAD BL SELECT BRUSHLESS BATTERY

## Improved performance & durability

The latest BC-RAD BL Select range of battery powered torque tools, incorporates the latest in brushless (BL) motor technology. With higher efficiency and increased speeds, the BC-RAD BL Select - Brushless is the ultimate in portability, being the ideal tool where air or power is unavailable.

- Accuracy of +/- 5%
- Longer battery run times due to greater motor efficiency
- Higher operating speeds
- Non-impacting
- Powered by 18 Volt Li-ion battery (2 supplied together with charging unit)
- Torque setting in increments of 10 Nm via new improved digital display
- Ability to lock-in a set torque (last set torque is remembered even when battery is removed)
- High torque to weight ratio
- Auto 2 speed versions available
- Battery capacity display
- Low noise (operates at less than 80 decibels)
- All tools are supplied with a dedicated calibration certificate
- Supplied in weatherproof storage case

**Brushless  
Technology**

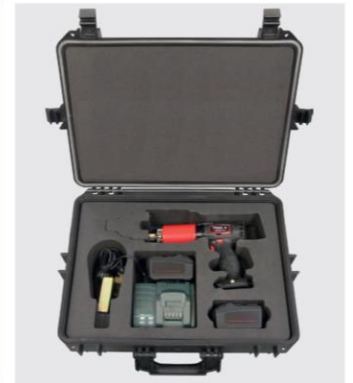


**No Power Source  
No Problem**

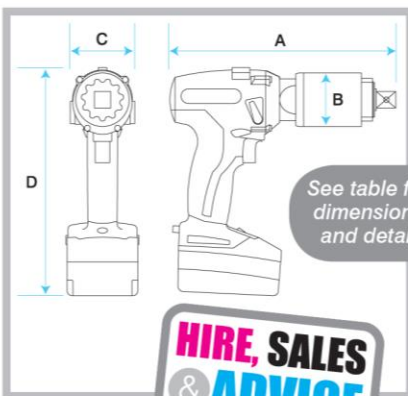
BC-RAD BL Select  
BRUSHLESS, Battery  
Operated Torque Tool



Digital  
Torque  
Setting



Optional  
Double  
Safety  
Trigger



See table for  
dimensions  
and detail

**HIRE, SALES  
& ADVICE**  
**01709 550088**

Model	Dimensions (mm)				Weight Kg	Speed (rpm)	Torque Range (Nm)		Square Drive
	A	B	C	D			Min	Max	
<b>BC-RAD 5 X Select*</b>	265	62	67	260	3.8	24	100	475	3/4"
<b>BC-RAD 7 BL Select</b>	256	63	67	260	3.3	21	170	700	3/4"
<b>BC-RAD 14 BL Select</b>	256	63	67	260	3.5	10	300	1,400	3/4"
<b>BC-RAD 14A BL Select</b>	305	63	67	260	4.5	71	300	1,400	3/4"
<b>BC-RAD 20 BL Select</b>	275	69	67	260	4.25	5.5	400	2,000	1"
<b>BC-RAD 20A BL Select</b>	326	69	67	260	4.9	19.5	400	2,000	1"
<b>BC-RAD 40 BL Select</b>	312	81	67	260	6.0	2.5	800	4,000	1"
<b>BC-RAD 40A BL Select</b>	363	81	67	260	6.7	20	800	4,000	1"
<b>BC-RAD 70 BL Select</b>	338	95	67	260	8.8	2	1,350	7,000	1 1/2"