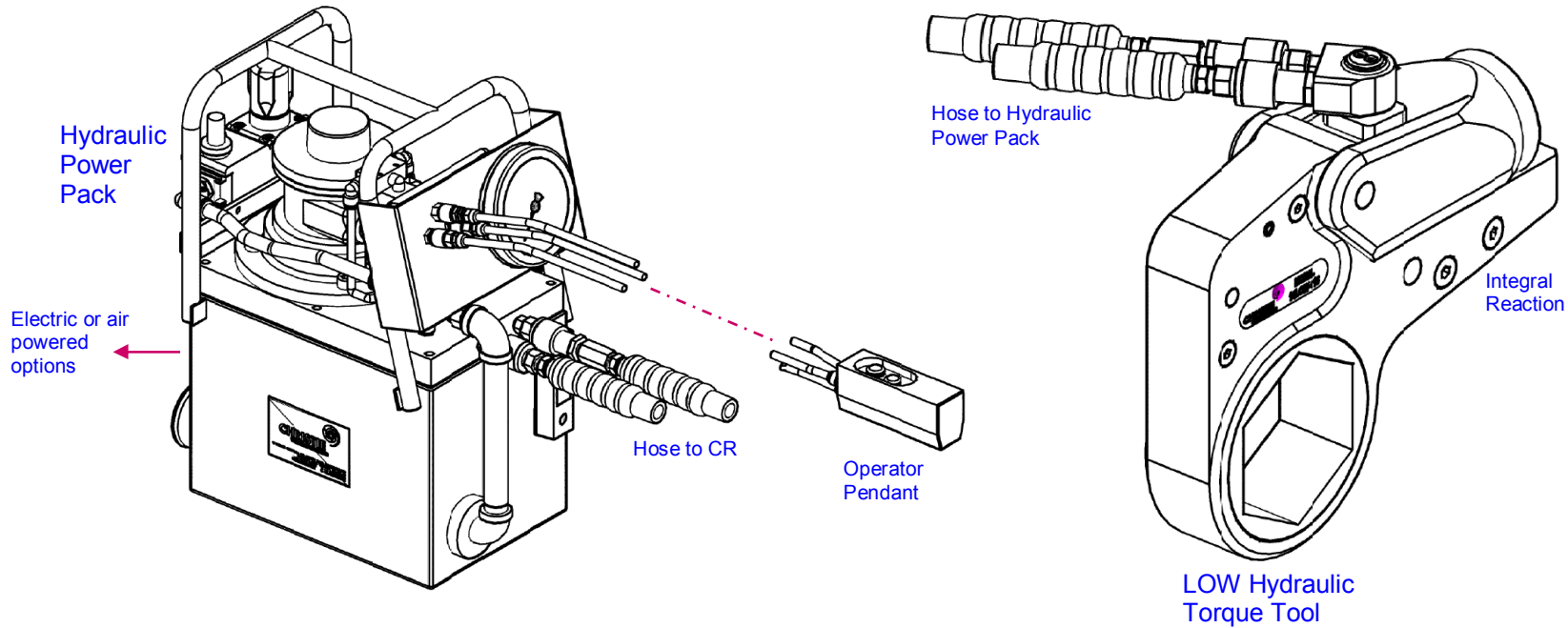


LOW Hydraulic Torque Tool

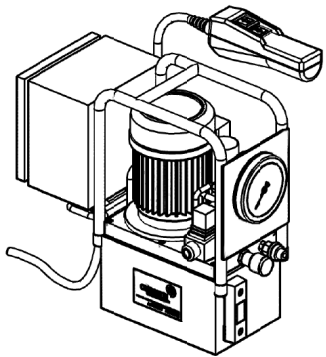


CHRISTIE
TOTAL TORQUE SOLUTIONS

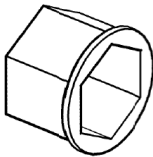
Equipment required for using a LOW



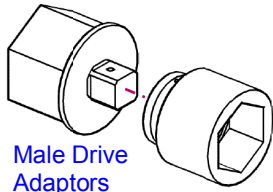
Optional Extras



Range of Power Packs Available (Electric version illustrated)

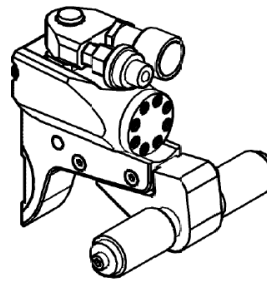


Hexagon Reducing Sleeves

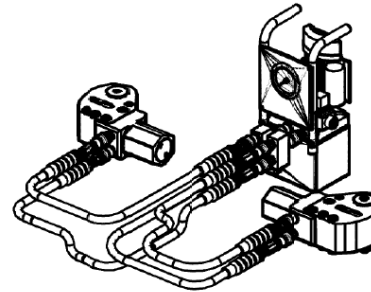


Male Drive Adaptors

Range of Sockets available



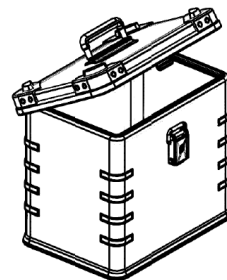
Special Reactions to suit individual applications



Multiple Tool Assembly



Storage Trolleys



Storage Boxes