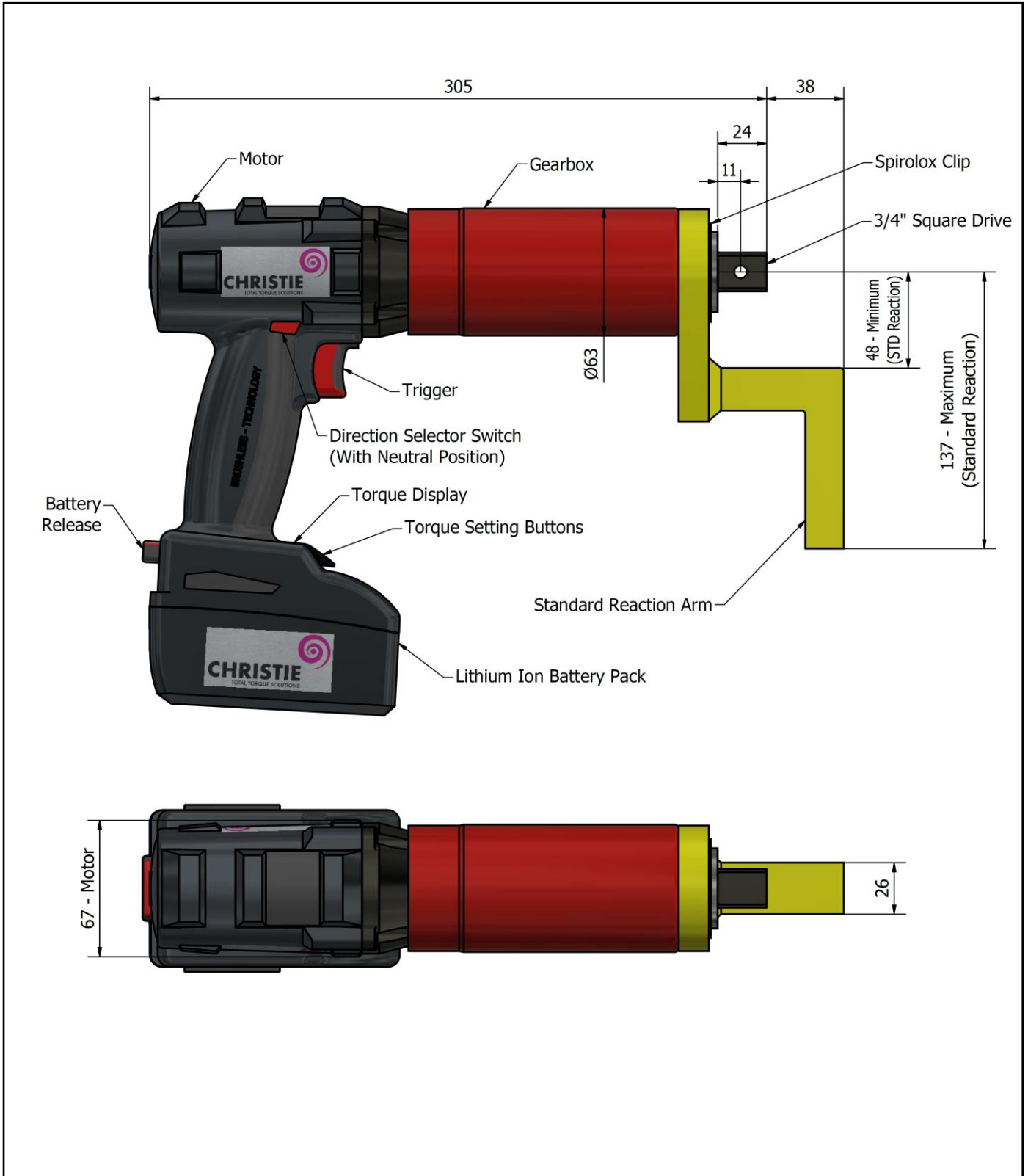


## BC-RAD 14A BL SELECT BRUSHLESS BATTERY TORQUE WRENCH - TECHNICAL DATA



# BC-RAD 14A BL SELECT

## BRUSHLESS BATTERY TORQUE WRENCH - TECHNICAL DATA

### DESCRIPTION

The BC-RAD 14A BL Select Battery Torque Wrench is a hand held, non-impacting battery driven power tool designed to apply torque to tighten and remove threaded fasteners.

The BC-RAD 14A BL Select has an automatic two speed gearbox to allow the operator to run down a fastener up to 5 times faster than the normal operating speed. When the torque starts to increase The BC-RAD 14A BL Select will automatically change to a low speed for final tightening.

The reaction force works in the opposite direction to the applied torque. The point of reaction should be kept as far away as practicable from the centre of the gearbox to minimise this force.

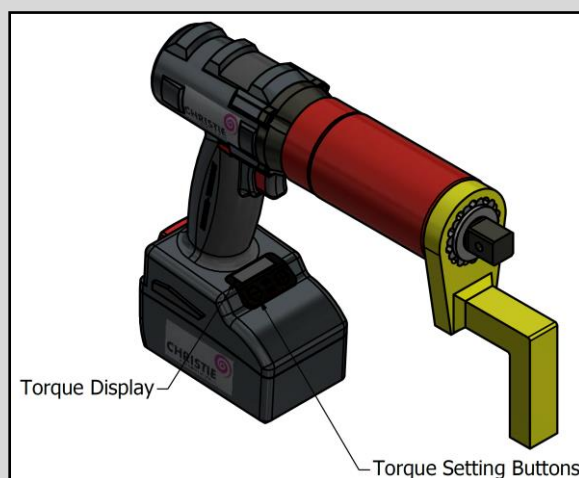
Torque is controlled by use of the torque setting buttons. The torque figure is displayed on the torque display.

The BC-RAD 14A BL Select must always be operated with the following:-

- Lithium Ion Battery Pack (Supplied)
- Impact Quality Sockets
- Reaction Arm
- Battery Charger (Supplied)

### SPECIFICATION

Output Square Drive (Male):	3/4" (19.05mm)
Direction:	Forward & Reverse
Torque Accuracy:	+/- 5%
Minimum Output Torque:	300 Nm (230 lbf.ft)
Maximum Output Torque:	1400 Nm (1000 lbf.ft)
Speed:	71 rpm (Auto 2 Speed)
Battery Charging Temp Range:	0°C To 50°C
Battery Charger Voltage:	110V or 240V (dependant on model purchased)
Noise:	Less than 85 dB(A)
Vibration:	Vibration level at handle does not exceed 2.5m/sec (Low)
Tool Weight:	4.5 Kg (9.92 lbs)
Reaction Plate Weight:	0.99 Kg (2.18 lbs)



### ACCESSORIES AVAILABLE

The following accessories are available upon request and can be custom made to suit requirements. Please contact W. Christie (Industrial) Limited for more information:-

- Spare Lithium Ion Battery Packs
- Special Reactions
- Nose Cone Extensions
- Offset Gearbox
- Impact Quality Sockets
- Torque Checking System (Rundown Fixture)

No statement or data within this literature is warranted or guaranteed to be accurate.