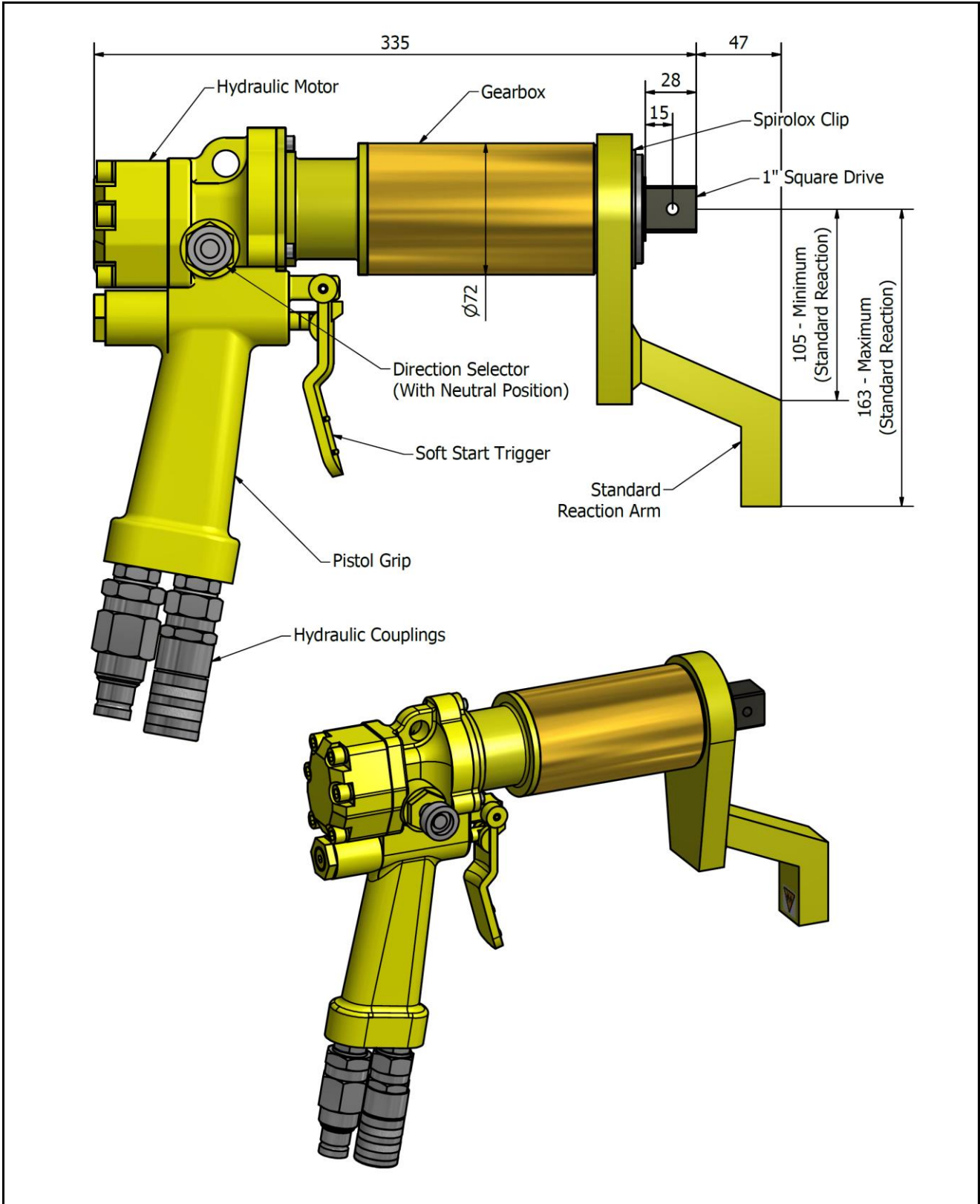


## HYSPAN PISTOL GRIP HYDRAULIC TORQUE TOOL HY10PG (1" SQ) - TECHNICAL DATA



# HYSPAN PISTOL GRIP HYDRAULIC TORQUE TOOL HY10PG (1" SQ) - TECHNICAL DATA

## DESCRIPTION

The Hyspan Pistol Grip Hydraulic Torque Tool is a hand held, non-impacting hydraulic driven power tool designed to quickly and accurately apply torque to tighten and remove threaded fasteners. The unit is ideal for all types of maintenance work, above and below ground, offshore and sub-sea. It may be powered from the customers own hydraulic supply or via a Christie supplied power pack.

Torque is controlled by regulating the hydraulic pressure via a separate hydraulic power pack. Corresponding pressure settings and torques are determined using the graph provided.

The reaction force works in the opposite direction to the applied torque. The point of reaction should be kept as far away as practicable from the centre of the square drive to minimise this force.

The tool must always be operated with the following:-

- Double acting hydraulic power pack capable of 1,500 psi (104 bar)
- Power pack flow rate of 15-45 litres/minute (0.530-1.589 cfm)
- Hydraulic mineral oil. (None synthetic, Grade 32 or equivalent).
- Hydraulic hoses. Working pressure to Suit Power Pack, 3/8" (10mm) bore.
- Impact quality sockets or adaptors

## SPECIFICATION

Output Square Drive (Male):	1" (25.4mm)
Direction:	Forward & Reverse
Minimum Output Torque:	110 Nm (81 lbf.ft)
Maximum Output Torque:	1,000 Nm (738 lbf.ft)
Torque Accuracy:	+/- 4%
Speed (Single):	28 rpm
Noise:	Less than 76 dB(A)
Vibration:	Vibration level at handle does not exceed 0.5m/sec (Low)
Tool Weight:	7.5 Kg (16.54 lbs)
Reaction Plate Weight:	1.65Kg (3.64 lbs)
Wrench Port Size:	3/8" BSPP

## ACCESSORIES AVAILABLE

The following accessories are available upon request and can be custom made to suit requirements. Please contact W. Christie (Industrial) Limited for more information:-

- Special reactions
- Custom lifting points
- Nose Cone Extensions
- Offset Gearbox
- Impact quality sockets and adaptors
- Torque checking system (Rundown Fixture)

No statement or data within this literature is warranted or guaranteed to be accurate.



W. CHRISTIE (INDUSTRIAL) LTD  
CHRISTIE HOUSE  
MEADOWBANK ROAD  
ROTHERHAM  
SOUTH YORKSHIRE  
S61 2NF UK  
T: +44(0)1709 550088 F: +44(0)1709 550030  
E: [INFO@WCHRISTIE.COM](mailto:INFO@WCHRISTIE.COM) W: [WWW.WCHRISTIE.COM](http://WWW.WCHRISTIE.COM)