

LP

Hydraulic Torque Tool

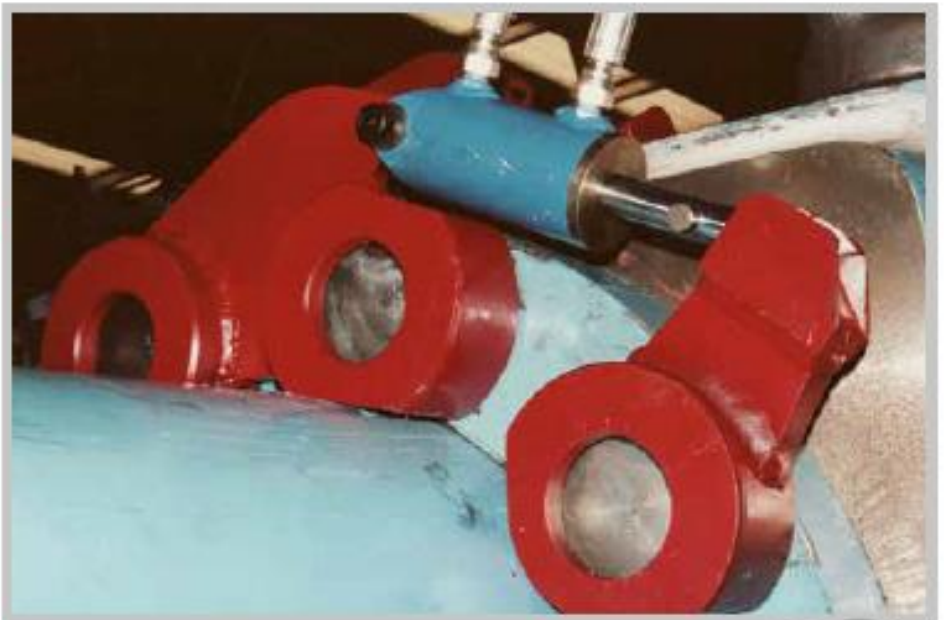
LP HYDRAULIC

Low Profile (LP) hydraulic torque tooling solves the problem of limited diameter access on flange fitting and maintenance. LP tooling can be designed to accommodate even the most severe of obstructions.

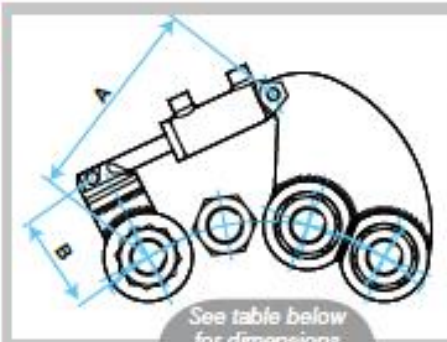
- Individually manufactured to suit specific flange applications
- Static back anchor to suit bolt centres acts as reaction
- Bi-hexagon static wrench arm



PROBLEM: Restricted Access at points A and B



SOLUTION: Hydraulic LP Torque Tool



See table below for dimensions and details

HIRE, SALES & ADVICE
01709 550088

Model	Dimensions		Torque Capacity		Max. Operating Pressure Psi
	A mm	B mm	Push Nm	Pull Nm	
LP3	213	102	4,000	2,237	10,000
LP5	381	152	10,778	3,254	10,000
LP7	416	228	25,218	9,084	10,000
LP9	510	305	59,656	30,506	10,000