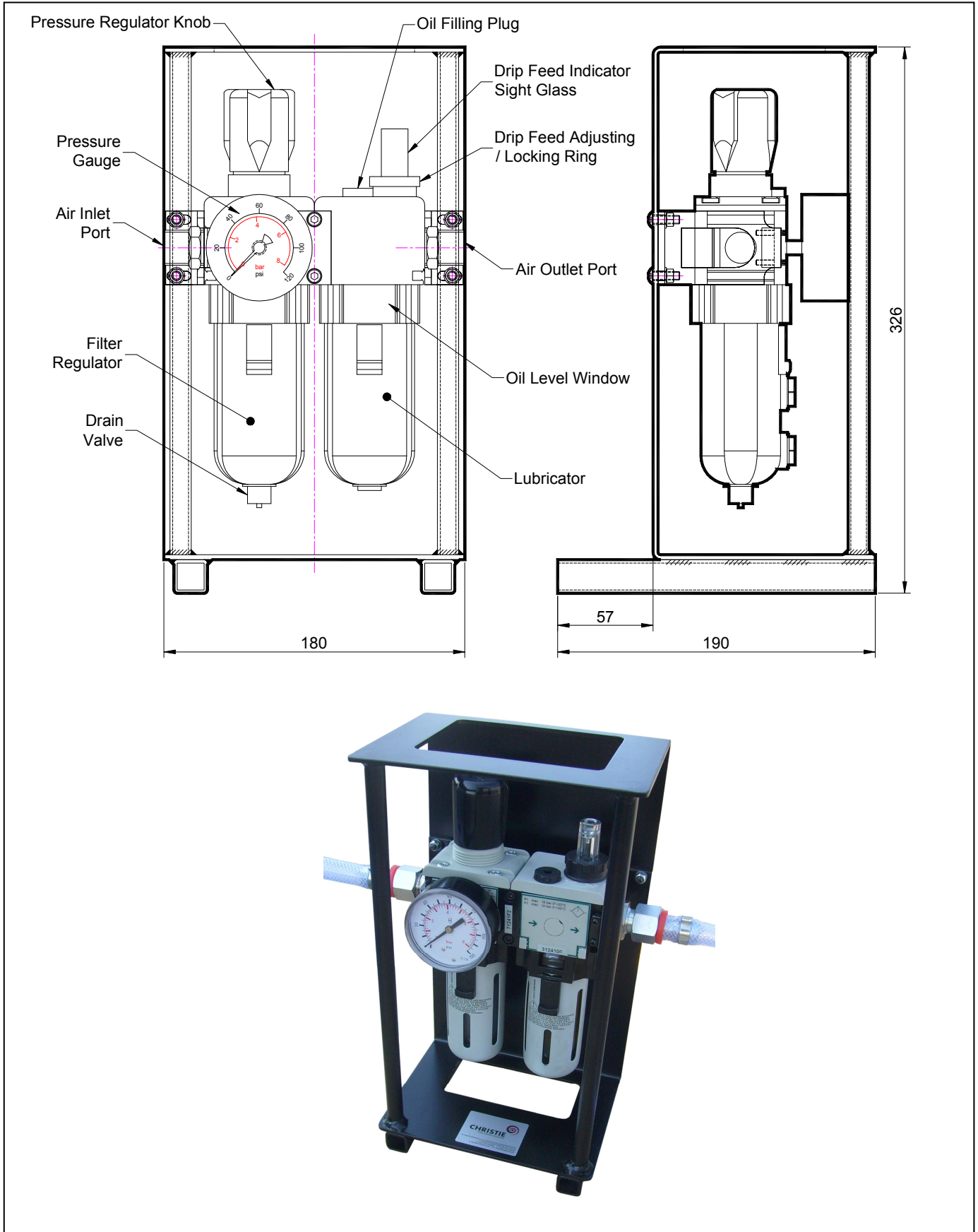


## STANDARD LUBRO (MK2) – TECHNICAL DATA



# STANDARD LUBRO (MK2) – TECHNICAL DATA

## DESCRIPTION

The standard Lubro unit reduces moisture content and lubricates the air supply. Air pressure can be regulated by turning the pressure regulator knob.

The standard Lubro unit is ideally suited for use with Christies range of pneumatic wrenches (see separate data sheets)

The oil drip feed can be adjusted by using the drip feed adjusting / locking ring.

The Lubro unit is supplied with one outlet air hose assembly.

## SPECIFICATION

Maximum Air Pressure (In):	10 bar (145 Psi)
Air Consumption (In):	1800 - 3000 litres/minute (63.57 - 105.94 cfm)
Air Hose Length (Outlet):	3m
Pneumatic Port Size:	1/2" BSP (Male)
Submicron filter:	25 µm
Bowls capacity:	12 cl (7.32 in <sup>3</sup> )
Lubricator Oil Specification:	Mineral Oil, None Synthetic, Grade 32 or equivalent
Total Weight:	~5.5 Kg (12.13 lbs)

## ACCESSORIES AVAILABLE

The following accessories are available upon request and can be custom made to suit requirements. Please contact W. Christie (Industrial) Limited for more information:-

- Extra Length Hoses
- Lockable Cage
- Air Inlet Hose Assembly

## RELATED TECHNICAL DATA SHEETS

The following technical data sheets may be of interest. Please contact W. Christie (Industrial) Limited for more information:-

- C-RAD Pneumatic Torque Wrench
- PM Torque Wrench

No statement or data within this literature is warranted or guaranteed to be accurate.



W. CHRISTIE (INDUSTRIAL) LTD  
CHRISTIE HOUSE  
MEADOWBANK ROAD  
ROTHERHAM  
SOUTH YORKSHIRE  
S61 2NF UK  
T: +44(0)1709 550088 F: +44(0)1709 550030  
E: [INFO@WCHRISTIE.COM](mailto:INFO@WCHRISTIE.COM) W: [WWW.WCHRISTIE.COM](http://WWW.WCHRISTIE.COM)